

P Series Jaw Crusher  
CMC P 系列破碎顎碎機

[www.chymeang.com](http://www.chymeang.com)



啓銘機械股份有限公司  
CHYI MEANG MACHINERY CO., LTD.



## 目錄 Table of Content

高性能 . . . . .	P2
High performance	
高品質與高信賴度 . . . . .	P4
High quality and high reliability	
履帶移動式破碎站 . . . . .	P5-P6
Crawler mobile crushing plant	
安裝和運行成本低 . . . . .	P8-P10
Low installation and operation cost	
產能及技術參數 . . . . .	P12
Capacities and technical specifications	
尺寸及技術規格 . . . . .	P14
Dimension and technical information	

## 操作方便，耐久性強的顎碎機 Easy Operation, Durable Jaw Crusher

本公司生產近40年岩石及礦山機械，一直以高產能、高性能、堅固耐用著稱，及持續不斷研發創新追求完善，**永續經營**。

CMC has produced rock crushing/screening equipments for nearly 40 years with name of high capacity, high performance and rock solid durable. By continuous R & D and innovation to pursue perfect, CMC achieves **sustainable business running**.

P 系列顎碎機採用特殊的模組化無焊接機台結構及橡膠撓性的基礎安排，因而賦予設備最大的耐疲勞性，最佳的可靠性和多種安裝方式。此外多項精心設計的特徵，如牙板內鎖結構，全液壓雙楔塊破碎間隙調整系統，下料緩衝機構皆大大提升操作方便性、實用性，降低磨耗成本。

P series adapts special modular; non-welded frame construction and flexible rubber damper base. Hence, it has highest possible fatigue strength, excellent reliability and numerous mounting possibilities. Moreover, many delicate designed features, e.g. superior jaw plate tightening structure, fully hydraulic twin wedges setting adjustment system, shock absorption mechanism for material discharge all increase convenience and feasibility operation, reduce wear cost.

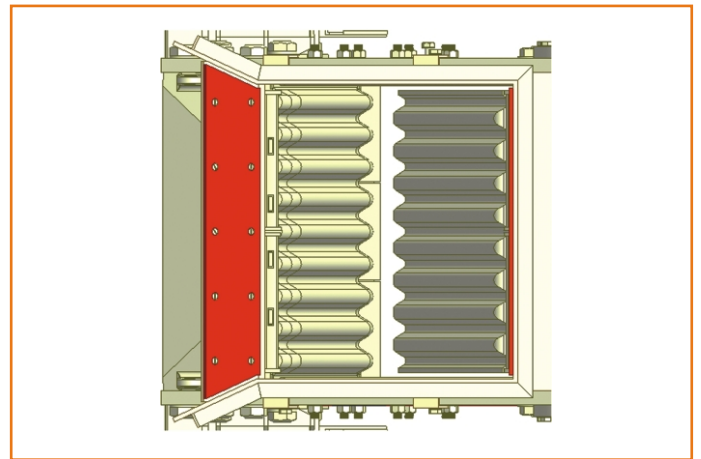
本機種適合於各類應用，固定式，移動式，礦山井內，高海拔礦山等，交通搬運困難處。

It can fit for wide and different kinds of applications, stationary, portable, deep mining well, high sea level quarry and all other difficult transportation areas.

## 合適之破碎腔口設計 Suitable crusher cavity design

合適之破碎腔口配合入料槽，可避免最少堵料狀況，達到最佳破碎作業流程，入料槽用於有效保護活動座軸承避免破碎物直接撞擊及引導破碎物料進入破碎腔。

The suitable cavity design matched with feed chute avoids bridging of material and reaches best crushing operation. The functions of feed chute keeps Swing Jaw bearings area from material impact effectively and guide material smoothly feeding into crusher cavity.



合適之破碎腔口配合入料槽  
Suitable crusher cavity with feed chute

## 大沖程、大產能 Large stroke、large capacity

P 系列顎式破碎機採用大偏心量和陡峭 S 板設計，使得在破碎腔底部有效沖程更大。大沖程配合合適的轉速和飛輪慣性及大馬力，保證真正高破碎性能。

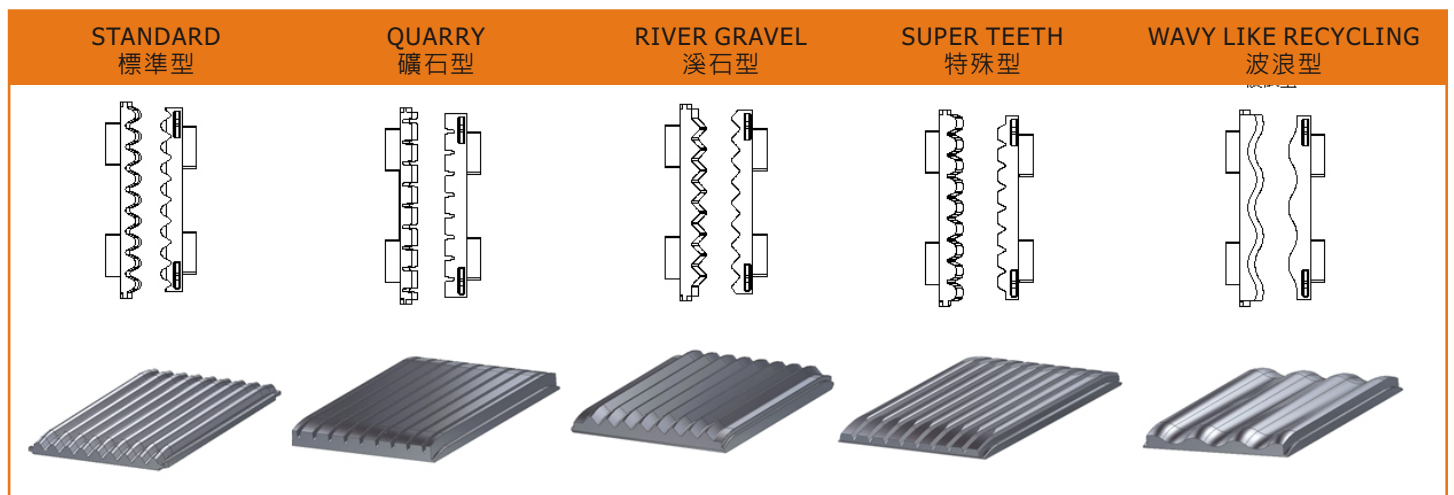
P series jaw crushers have a large eccentric throw coupled with a steep toggle plate angle that magnifies the effective stroke at the crusher discharge. The large stroke, combined with the right speed, flywheel inertia and high available crusher power result in truly high crusher performance.

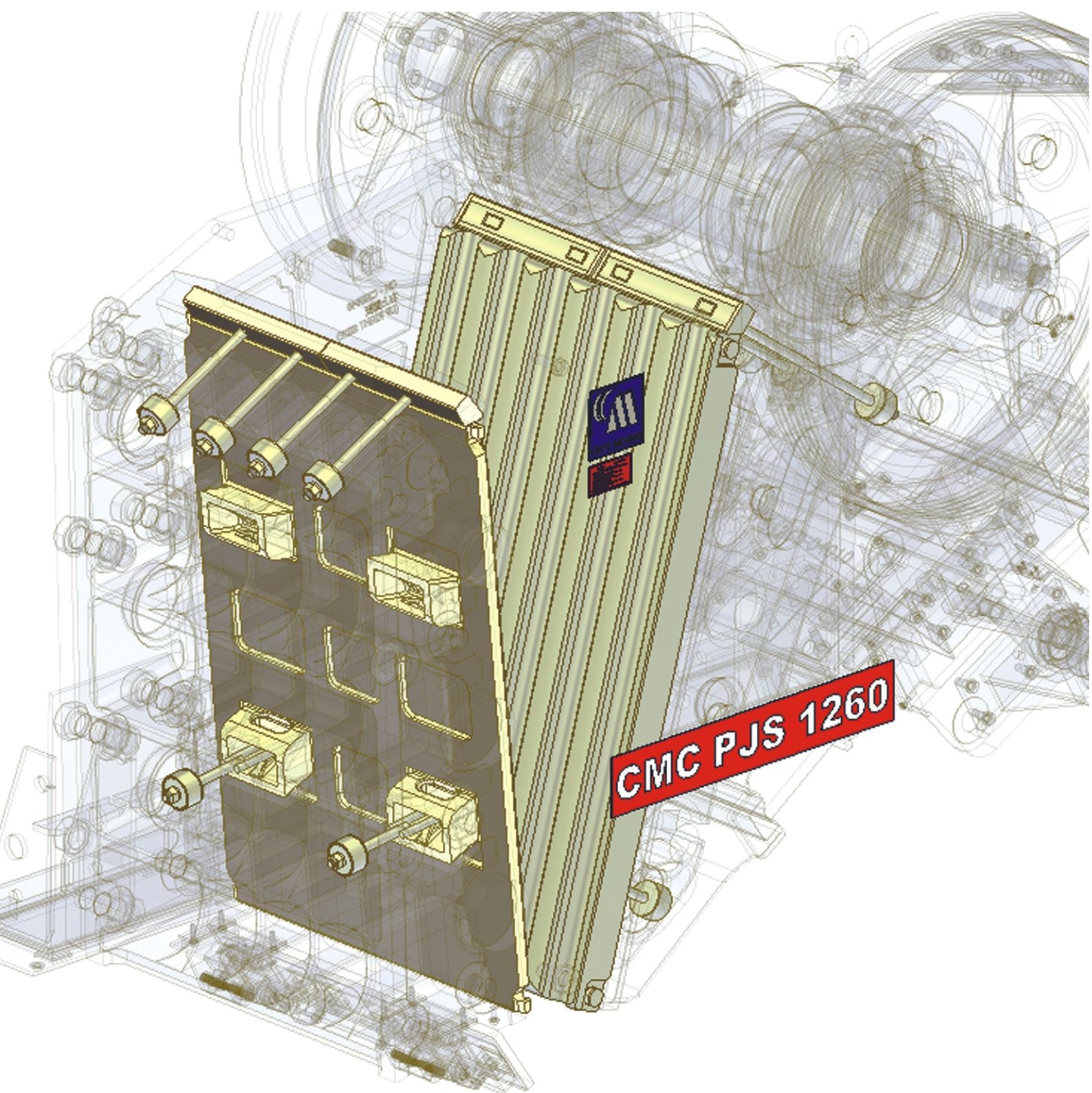


## 多樣牙板的選項 Diversified jaw plates for different application

P 系列顎碎機提供多種牙板選項，滿足廣大不同應用使之發揮最大功能，詳如下列圖示。

Many types of jaw plates available in P series jaw crusher to optimize the performance in wide range of application.



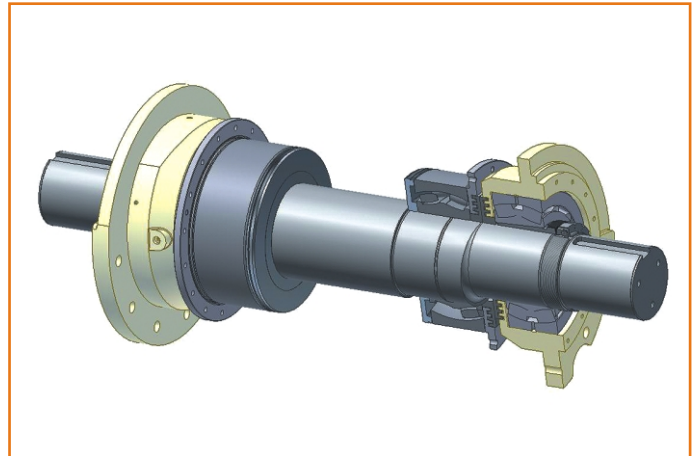


## 提供最耐用的軸承

### The most durable bearings

PJS系列顎碎機，外軸承採用圓錐內孔軸承配合退卸套，具有與內軸承同等負載能力，而且在裝卸過程中更簡便。

Frame bearings are designed as spherical roller bearings with withdrawal sleeve in PJS series Jaw Crusher. Frame bearings have same load capability as Swing Jaw bearings. It is also easy assembly and disassembly in this design.



堅固的偏心軸軸承

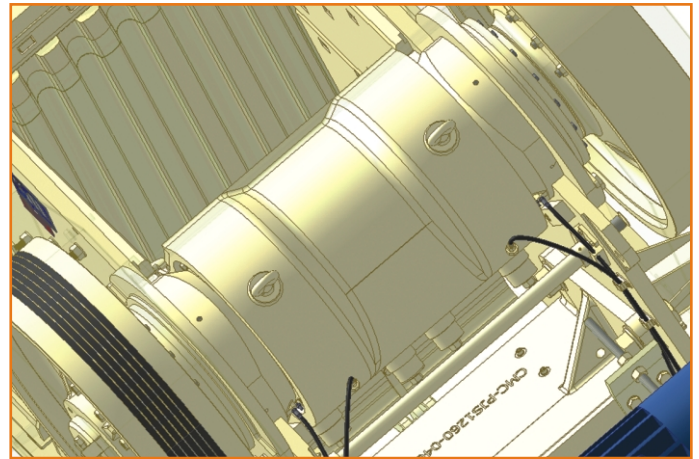
Large and sturdy eccentric shaft bearings

## 高剛性軸承座結構設計

### Excellent rigidity bearing seat assembly design

活動座總成採用高質量的鑄鋼件構成，並且在軸承座外圍平均分佈2組支撐桿，相當有效提供機台剛性穩定度，即使在嚴苛應用環境下，PJS系列產品皆能夠提供卓越的強度，可靠性。

The Swing Jaw is made of high quality cast steel and three support rods are designed to be evenly installed on the surrounding of bearing seat, which can provides excellent rigidity of frame. PJS series Jaw Crusher ensures greatest strength and reliability even under the most severe crushing condition.



堅固的軸承座總成

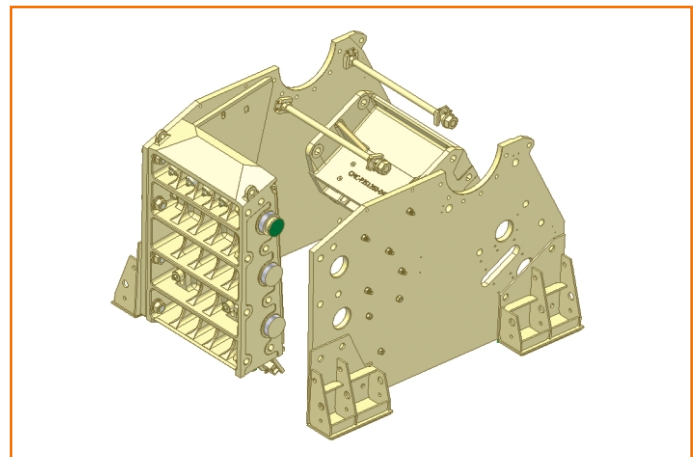
Robust bearing seat assembly

## 模組化設計

### Modular construction design

採用模組化設計和高精度加工組合結構，每個主要部件皆可單獨搬運，至現場組裝完成，特別適合於高海拔礦山、井下、交通運輸困難之場所。

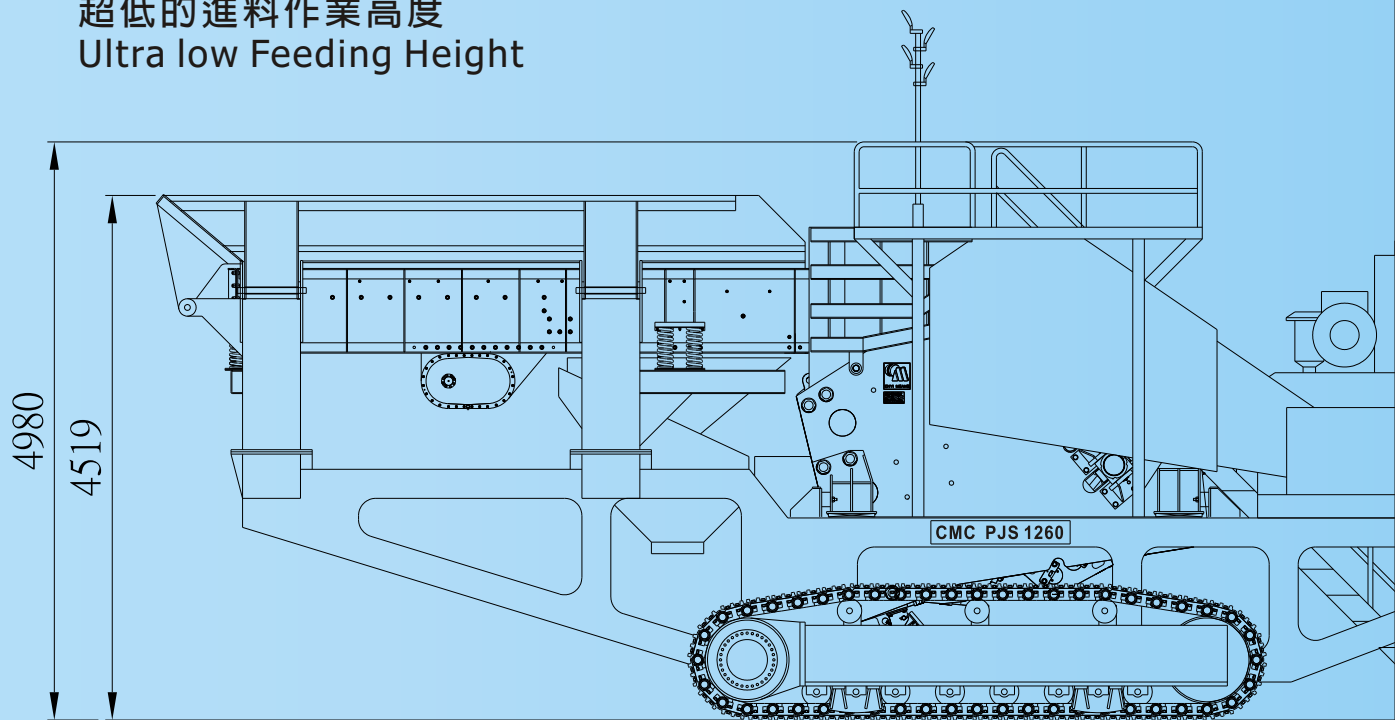
A modular and high precise machining construction enables all major parts can be transported to site separately and assembled into whole. This is especially suitable for high sea level quarry, deep well mining and other transportation difficult areas.



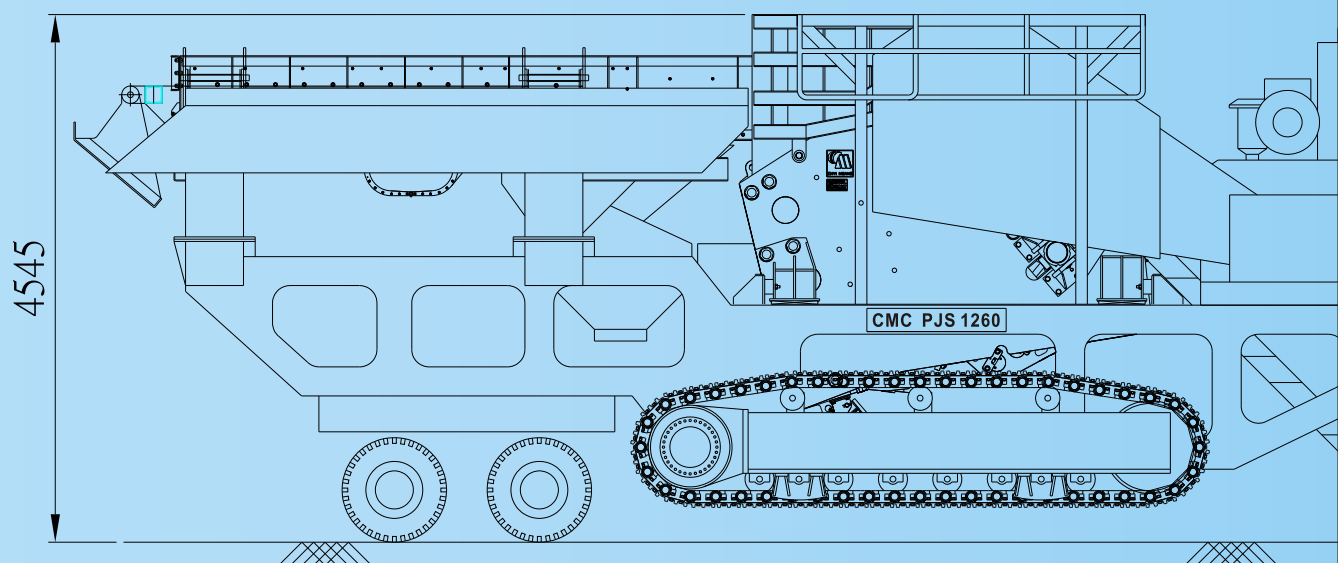
模組化設計

The modular construction

超低的進料作業高度  
Ultra low Feeding Height

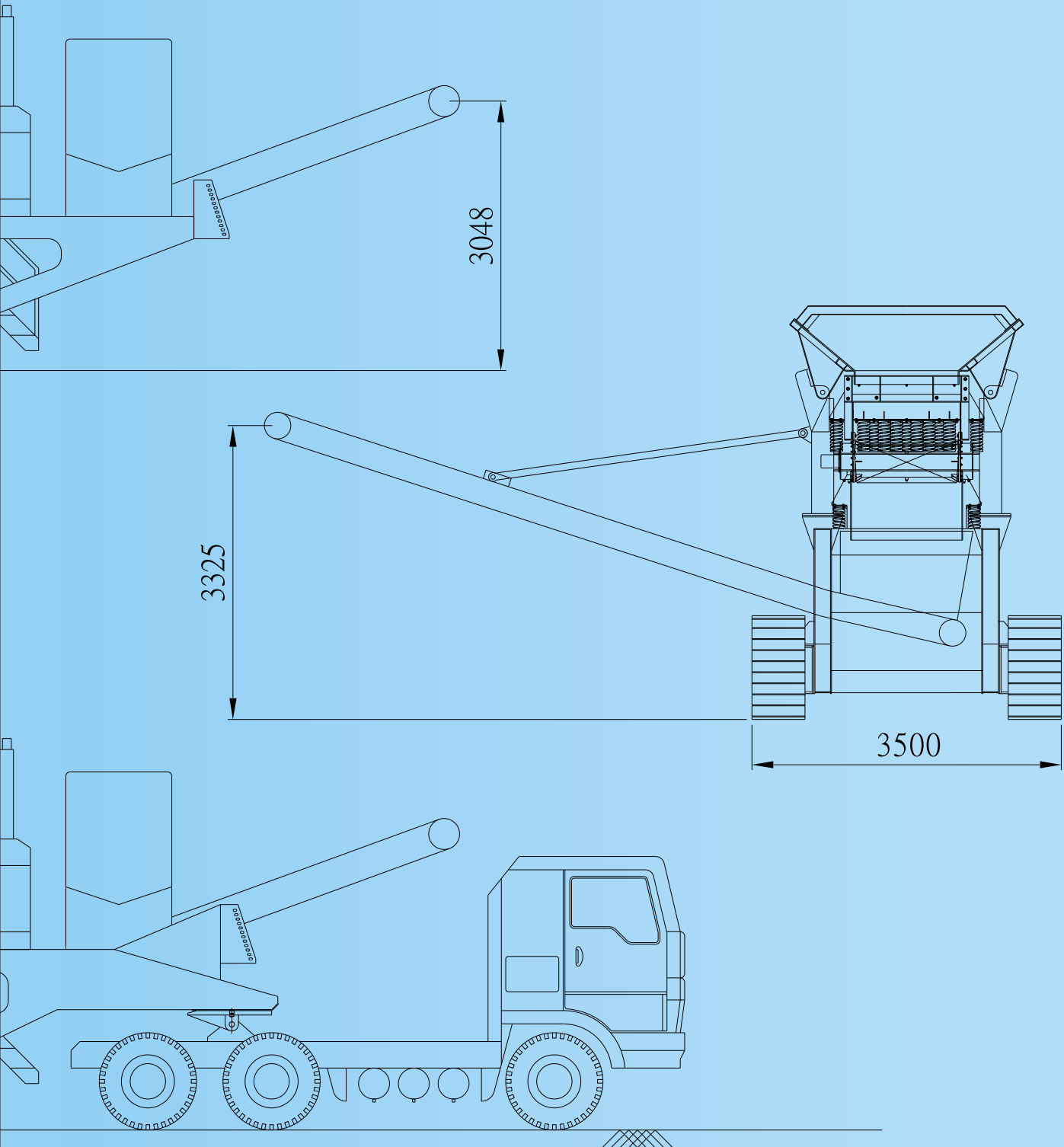


方便搬運，成本最低  
Easy Transportation, Minimum cost



# 履帶移動式破碎站

## Crawler mobile crushing plant





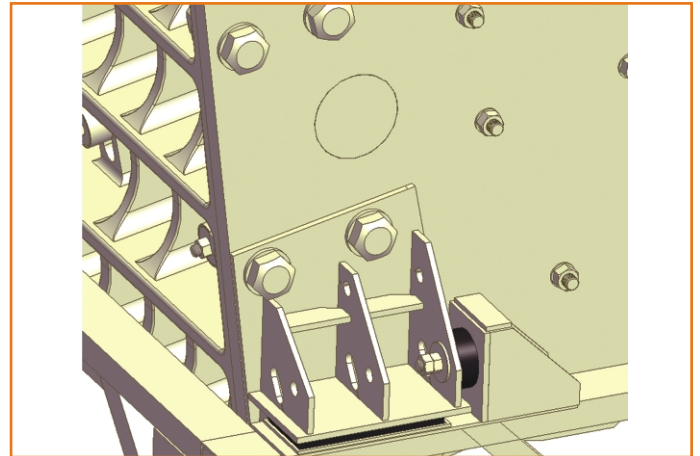


## 顎式破碎機基礎

### Jaw Crusher foundation

本系列破碎機的橡膠減震裝置和限位塊可以通過吸收震動峰值載荷，並允許破碎機垂直和縱向位移，從而有效的降低了破碎機對基礎的衝擊，這種獨特和創新的安裝系統不需要基礎螺栓，變更腳架位置，可適用於移動式或固定式。

Rubber dampers and stoppers effectively decrease crushing loads to the foundation by absorbing peak shock loads and allowing crusher to move vertically and longitudinally. This unique and innovative system eliminates the need of anchor bolts. Change support position to meet portable or stationary application requirement.



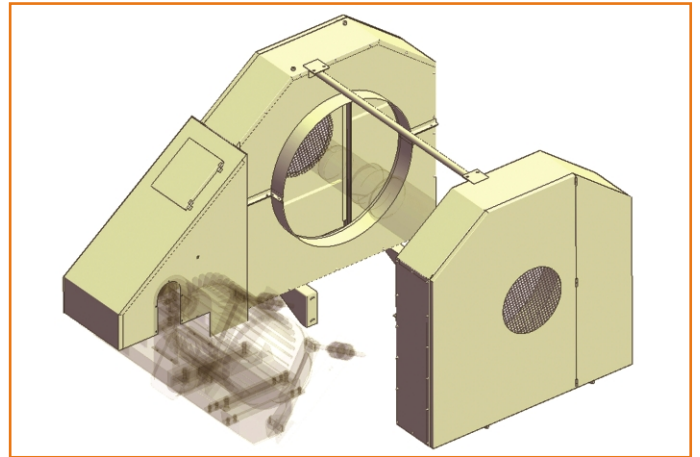
變更腳架位置，可適用於移動式或固定式  
Change support position to meet portable or stationary application requirement

## 飛輪護罩結構簡潔便於保養

### Compact flywheel guards

本系列顎式破碎機的飛輪護罩螺栓連結在破碎機邊板上，有效地保護破碎機操作者的安全。檢視窗和檢視門提供了方便，檢查皮帶張力。

Flywheel guards are bolted onto the crusher's side plates and effectively protect operators' safety. Viewing window and door provides easy inspection V-belts tension.



配合飛輪護罩，可減少對破碎機周圍的空間需求  
The flywheel guards reduce space requirements around the crusher

## 廣泛的安裝應用

### Wide installation applications

本系列顎式機不但重量輕，機台可更換腳架位置適合各種應用，且採用特殊反向破碎及可調整破碎行程機構產能高，馬力省廣泛適用於各種應用。

- 更換老式顎碎機，基礎不必改，且產能更大。
- 各種地面安裝，如採石、礦山、採礦坑及回收破碎。
- 履帶式或輪式移動式破碎站。

The series Jaw Crusher is not only light weight, support position can be changed for different application requirement. Also special Up-Thrust and adjustable crushing stroke design has advantages of high capacity, low power consumption. It can be widely suit for different applications:

- An ideal choice for the replacement of existing Jaw Crusher and modifications to the existing foundation are rarely required. The capacity is larger.
- Right choice for stationary surface installations at quarries, mines, gravel pits and even recycling plants.
- Hot choice for both crawler and wheeled type portable plants.



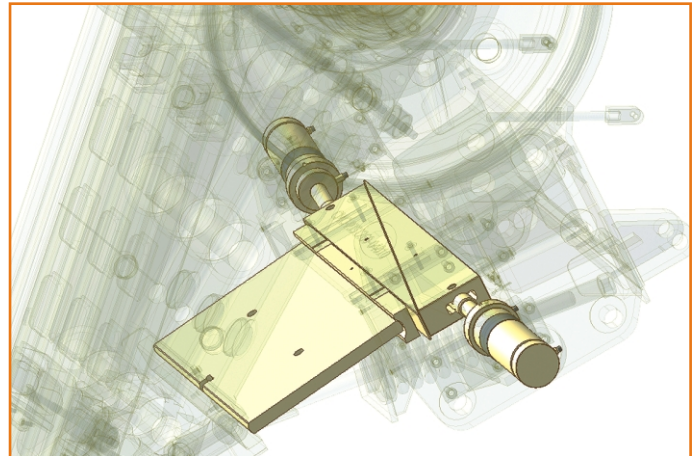


## 破碎間隙調整快速安全

### Fast and safe setting adjustment systems

配備全液壓式雙楔型塊破碎間隙調整系統，在數秒內就可以完成破碎間隙的調整。即使是在破碎機空轉狀況下。此外，本系統對於因供電中斷導致停機時破碎腔有料而需要清腔時，尤其有效。

Equipped with fully hydraulic twin wedges setting adjustment system, the crusher's setting can be changed in seconds, even while crusher is idling!! The system is also especially effective at clearing the crusher's cavity should it stall under load due to interruptions in the supply of electric power.

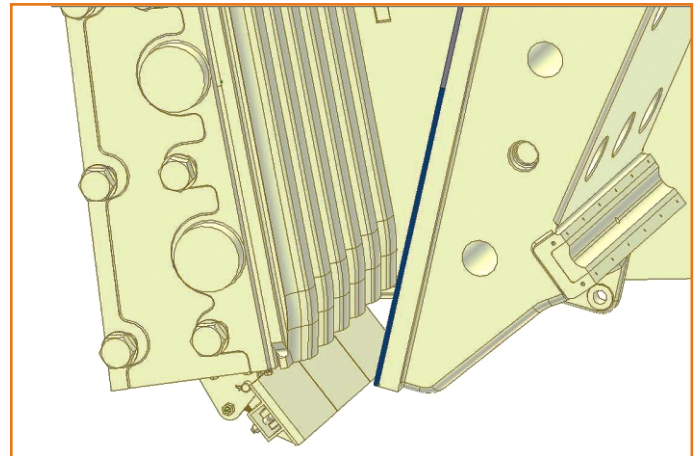


## 下料緩衝機構

### Shock absorption mechanism for material discharge

在落料口下側，安裝一組下料緩衝機構，使破碎物落下時，避免直接衝擊輸送帶，防止損傷。

A shock absorption mechanism is installed at lower lateral side of discharge opening. It reduces direct impact of rock on under conveyors and protects conveyor from damage.



下料緩衝機構

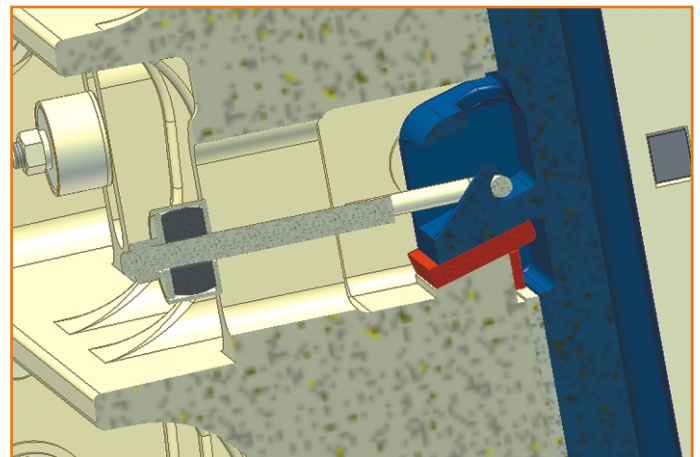
Shock absorption mechanism for material discharge

## 優越的牙板鎖結方式

### Superior jaw plate tightening

藉由牙板與活動座或前座獨特設計之斜面配合及斜面間耐磨板，使破碎機本體(活動座、前座)與牙板接觸面不受磨耗，故不需補焊。

By the unique design of taper contact faces and wear plate in between for jaw plates and crusher body, the contact face of crusher body is not subjected to wear. Therefore, no welding is required.



牙板內鎖方式減少磨耗

Jaw plate tightening way reduces wear



		PJS800	PJR900	PJS900	PJR1050	PJS1000	PJS1100	PJR1350	PJS1200	PJS1260	PJS1400	PJS1500	
給料口寬度 mm Feed opening width mm(in)		800(32)	900(36)	900(36)	1050(42)	1000(40)	1100(44)	1350(54)	1200(48)	1260(50)	1400(56)	1500(60)	
給料口深度 mm Feed opening depth mm(in)		500(20)	500(20)	600(24)	700(28)	800(32)	850(34)	750(30)	900(36)	1000(40)	1100(44)	1250(50)	
電動機功率 HP Power HP		100	125	125	150	150	200	200	250	250	300	350	
電動機功率 Kw Power Kw		75	90	90	110	110	160	160	190	190	220	262	
轉速 (rpm) Speed (rpm)		350	350	330	300	270	230	260	220	220	220	220	
產品尺寸 Product Size	開口間隙 Closed side setting	Mtph	Mtph	Mtph	Mtph	Mtph	Mtph	Mtph	Mtph	Mtph	Mtph	Mtph	
	mm(in)	Stph	Stph	Stph	Stph	Stph	Stph	Stph	Stph	Stph	Stph	Stph	
0-30		20											
0-1 1/8		3/4											
0-35		25											
0-1 3/8		1											
0-45		30											
0-1 3/4		1 1/8											
0-60		40	50-70	80-105									
0-2 3/8		1 5/8	55-77	90-120									
0-75		50	60-90	100-130									
0-3		2	70-95	110-140									
0-90		60	75-105	90-120	110-140								
0-3 5/8		2 3/8	80-115	100-130	120-150								
0-105		70	90-130	105-145	120-160	130-170	115-170	150-210	205-270				
0-4 1/8		2 3/4	105-140	115-160	140-170	140-180	130-180	175-230	230-300				
0-120		80	105-145	115-155	140-180	150-190	140-195	175-230	230-290				
0-4 3/4		3 1/8	115-160	125-170	155-200	165-210	155-210	185-260	255-320				
0-135		90	120-170	135-185	160-200	170-220	155-210	180-265	260-320				
0-5 3/8		3 1/2	135-185	150-200	170-220	190-240	170-230	205-290	280-355				
0-150		100	135-185	150-200	170-220	190-240	170-240	205-290	280-350	240-300	250-330		
0-6		4	140-190	150-220	190-240	200-260	190-265	230-320	310-390	260-330	280-360		
0-185		125	170-240	190-250	210-270	240-310	210-300	250-350	350-430	290-370	310-400	325-450	
0-7 3/8		5	190-265	210-275	235-290	260-335	235-330	275-380	380-480	320-410	340-445	360-500	
0-225		150	200-280	225-300	250-320	285-365	255-350	300-420	410-510	350-440	370-480	380-530	425-600
0-9		6	220-310	250-330	280-350	315-400	280-390	330-460	450-565	380-480	400-520	420-585	470-665
0-265		175	235-320	250-330	290-370	335-425	300-420	340-480	480-590	400-510	420-550	445-610	490-690
0-10 5/8		7	260-350	275-370	320-400	370-470	330-460	380-530	510-650	440-560	470-605	490-680	540-760
0-310		200				380-490	345-480	390-540	540-670	450-570	480-620	500-700	550-780
0-12 3/8		8				420-540	380-525	430-590	600-740	500-630	530-685	500-770	600-860
0-350		225								510-640	540-695	560-780	615-870
0-14		9								560-710	590-770	620-860	675-950
0-380		250								560-710	590-770	620-860	675-950
0-15 1/8		10								620-780	650-850	680-950	750-1040
0-420		275										675-940	740-1040
0-16 3/4		11										750-1030	810-1150
0-460		300											810-1135
0-18 3/8		12											880-1250

上表產能乃針對鬆散密度1.6 t/m<sup>3</sup> 乾石灰石。

上表數據指入料能夠順利進入破碎腔，無卡料現象，產量可能隨入料方式，物料性質諸如粒度組成、含水含泥量、鬆散密度和可碎性而變化。

以下因素可提高破碎機的能力和性能:

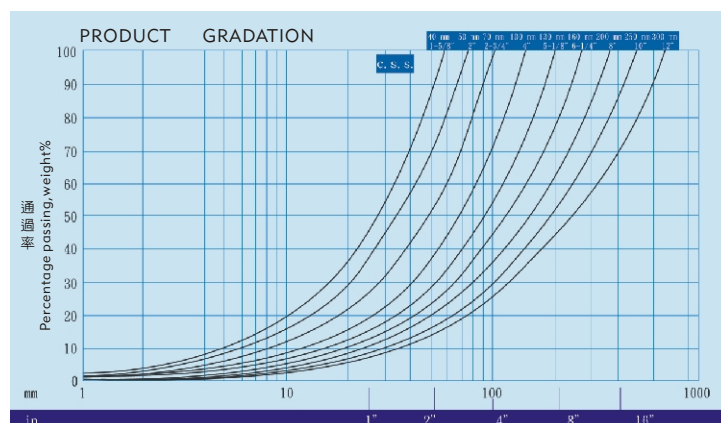
- 1.適合的齒板選擇。
- 2.適合的入料級配。
- 3.可控的入料量。
- 4.足夠的飼料機能力和給料寬度。
- 5.充分的破碎機排料區。
- 6.排料輸送帶與破碎機最大能力相匹配。

The above outputs are typical for a dry limestone with bulk density 1.6 t/m<sup>3</sup>. The above figures are based feed material enters crusher cavity without bridging. The capacities may vary depending on the feeding material and on feed characteristics such as gradation, bulk density, moisture, clay content and crushability.

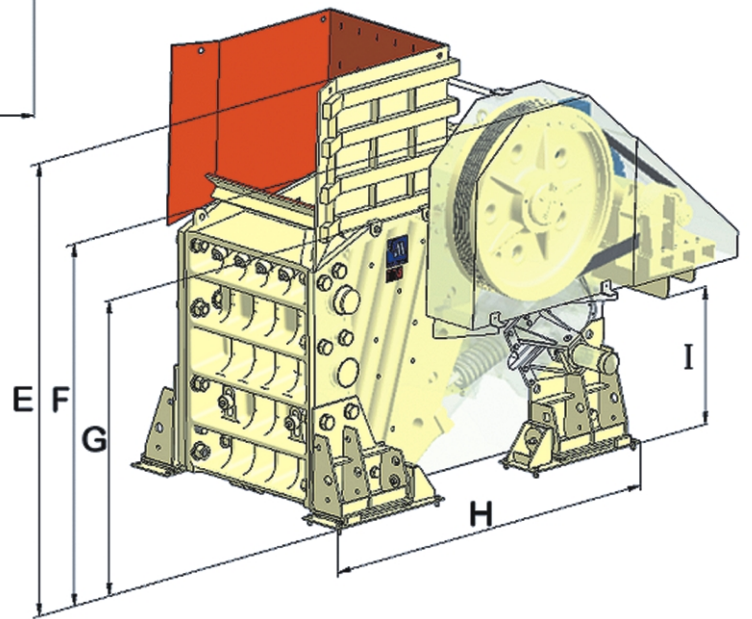
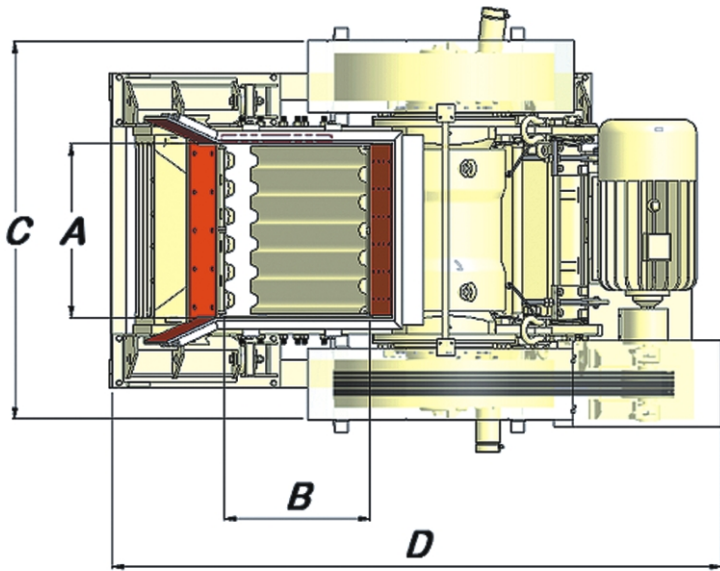
The following factors will enhance crusher capacity and performance:

1. Proper selection of jaw plates.
2. Proper feed gradation.
3. Controlled feed rate.
4. Sufficient feeder capacity and width.
5. Adequate crusher discharge area.
6. Discharge conveyor sized to conveyor maximum crusher capacity.

### 粒度特徵曲線







外型尺寸和重量  
Dimension and weights

		PJS800	PJR900	PJS900	PJR1050	PJS1000	PJS1100	PJR1350	PJS1200	PJS1260	PJS1400	PJS1500	PJS2000
<b>A</b>	mm (in)	800 (32)	900 (36)	900 (36)	1050 (42)	1000 (40)	1100 (44)	1350 (54)	1200 (48)	1260 (50)	1400 (56)	1500 (60)	2000 (80)
<b>B</b>	mm (in)	500 (20)	500 (20)	600 (24)	700 (28)	800 (32)	850 (34)	750 (30)	900 (36)	1000 (40)	1100 (44)	1250 (50)	1500 (60)
<b>C</b>	mm (in)	1565 (62)	1760 (69)	1760 (69)	2010 (79)	2430 (96)	2390 (94)	2650 (104)	2810 (111)	2720 (107)	2720 (107)	3720 (146)	4050 (159)
<b>D</b>	mm (in)	2520 (99)	2520 (99)	2880 (113)	3360 (128)	3650 (144)	3565 (140)	3540 (139)	4050 (159)	4270 (168)	4860 (191)	5900 (232)	6700 (264)
<b>E</b>	mm (in)	1990 (78)	1990 (78)	2080 (82)	2080 (82)	2890 (114)	2890 (114)	2890 (114)	3440 (135)	3560 (140)	4100 (161)	4580 (180)	4950 (195)
<b>F</b>	mm (in)	1700 (67)	1700 (67)	1900 (75)	2050 (81)	2490 (98)	2750 (108)	2470 (97)	2980 (117)	3120 (123)	3460 (136)	3750 (148)	4470 (176)
<b>G</b>	mm (in)	1200 (47)	1200 (47)	1400 (55)	1450 (57)	1700 (67)	2000 (79)	1080 (42.5)	2100 (83)	2270 (89)	2455 (97)	2650 (104)	2800 (110)
<b>H</b>	mm (in)	2020 (80)	2020 (80)	2450 (88)	2630 (104)	2965 (117)	2830 (111)	2950 (116)	3470 (137)	3505 (138)	4005 (158)	4280 (168)	4880 (192)
<b>I</b>	mm (in)	600 (24)	600 (24)	650 (26)	700 (28)	775 (31)	580 (23)	690 (27)	980 (39)	1000 (39)	1030 (41)	1300 (51)	1400 (55)
破碎機自重 Crusher weight without options	kg Lbs	7896 17410	9070 1999	10247 22595	15050 33185	21060 46437	22400 49392	25900 57109	36000 79380	40000 88200	58000 127890	74900 165155	127585 281325
破碎機總重 (含選配件) Total crusher weight	kg Lbs	9317 20544	10900 24034	12463 27480	17900 39470	24500 54022	26313 58020	30300 66811	40000 88200	43195 95245	65500 144428	87500 192938	144018 317560

啓銘機械可提供破碎機總體佈置、基礎和維修空間要求的詳細圖紙  
General arrangement, foundation and service space requirement drawings are available from CMC

## 對客戶的承諾 啓銘責任的開始

### Commitment for customers is the start of CMC'S responsibility

■ 啓銘機械自1969年由董事長簡正旭先生創立以來，數十年來，啓銘堅持“品質、服務、創新”的經營理念以及精益求精的精神，不斷在產品技術製程上致力改善，追求碎石設備之現代化、先進化及生產流程簡單化、一貫化以滿足客戶的需求，範圍涵蓋整廠碎石設備諮詢的規劃、設計、安裝、售後服務及操作訓練。

一本以往精神，傾聽客戶的需求，追求更先進技術，致力產品國際化，期能為客戶創造更大利益，為社會建設做出更多的貢獻。

■ Since CMC (Chyi Meang Machinery Co.,Ltd) was founded in 1969 by Mr. Jean Hsu Chien, For decades, CMC insists "Quality, Service, Innovation"-company motto and the spirit of pursuing better on better in continuous improvement on product technology and manufacture facilities/process.CMC has devoted to the modernization of stone crusher and the production process simplification/centralization to meet customer satisfaction. Our ranges cover consultancy, planning, design, manufacture, installation, after sales service and training of complete stone crusher plant equipments.

CMC keeps same spirit as usual,pursues more advance technology,devote to products' internationalization. CMC endeavors to create maximum advantages for clients.

#### 桃園廠 Main Office & Factory ( Taoyuan )

桃園縣八德市介壽路二段535號  
No. 535 Chieh-Shou Rd. Sec. 2. Pate  
City Taoyuan Hsien Taiwan  
Tel : 886-3-3666167-9  
Fax : 886-3-3668366



#### 雲林廠 Office & Factory ( Yunlin )

雲林縣林內鄉重興村68之50號  
No. 68-50, Chongsing Village,  
Yunlin County, Taiwan  
Tel : 886-5-5890167-8  
Fax : 886-5-5890169



#### 屏東廠 Office & Factory ( Pingtung )

屏東縣里港鄉三和路119之66號  
No. 119-66, Sanhe Rd., Ligang Township,  
Pingtung County, Taiwan  
Tel : 886-8-7733735,7733730  
Fax : 886-8-7733732



#### 中國廈門廠 Office & Factory ( Xiamen )

福建省龍海市龍池開發區  
鴻漸工業園橫二路4之1號  
No.4-1, Heng Erh Road, Hong Jian  
Industrial Park, Long Chi Development  
Zone, Long Hai City, Fujian Province  
Tel :86-596-6769-799  
Fax :86-596-6769-199



**啓銘機械股份有限公司**  
**CHYI MEANG MACHINERY CO., LTD.**

E-mail : [sales@chyimeang.com](mailto:sales@chyimeang.com)  
[http : //www.chyimeang.com](http://www.chyimeang.com)

Agent/Distributor: